



NS10LT Series

SENTEST.com

Wide temperature range.

Providing professional IR sensors for different applications.





Infrared Thermometer

- Temperature range : 0°C ~ 500°C
- Optical resolution up to 15:1
- 150 ms response time
- 0~5V , Type K or J output
- Power Supply 24VDC
- Environmental rating IP65
- Stainless steel housing
- RS485 (Autonomous agreement / Modbus RTU)



General Specifications

Environmental Rating	IP 65 (NEMA - 4)
Ambient Temperature	0°C to 70°C
Storage Temperature	-20°C to 80°C
Relative Humidity	10 to 95%, non-condensing
Cable Temperature	-20°C to 80°C
Weight	150g (2m cable)

Electrical Specifications

Analog Output	0~5V , Type K or J
Digital Output	RS485 (2-wire)
Protocol	Autonomous agreement / Modbus RTU
Maximum Loop Resistance	10 K Ω
T/C Output Impedance	20 Ω
Power Supply	24 VDC \pm 20%
Current Draw	max. 50 mA
Cable Length	2 m (standard), 5m or 10m

Measurement Specifications

Temperature Range 0°C ~ 500°C (32°F to 932°F)

Spectral Response 8 ~ 14 μ m

Optics Resolution (90% energy) 15 : 1

Accuracy*1 \pm 1% of reading or \pm 1.5°C, whichever is greater

Repeatability*1 \pm 0.5% of reading or \pm 1°C, whichever is greater

Response Time (95% signal) 150 ms

Emissivity 0.100 ~ 1.000 (PC software adjustable)
0.950 Fixed (Type K)

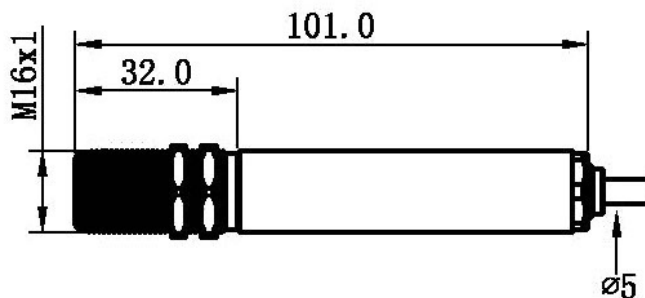
Temperature Resolution 0.1°C

Signal processing peak hold, valley hold, average (0~5V , Type J)

Software STonline

*1 At 23°C \pm 5°C, emissivity = 0.95

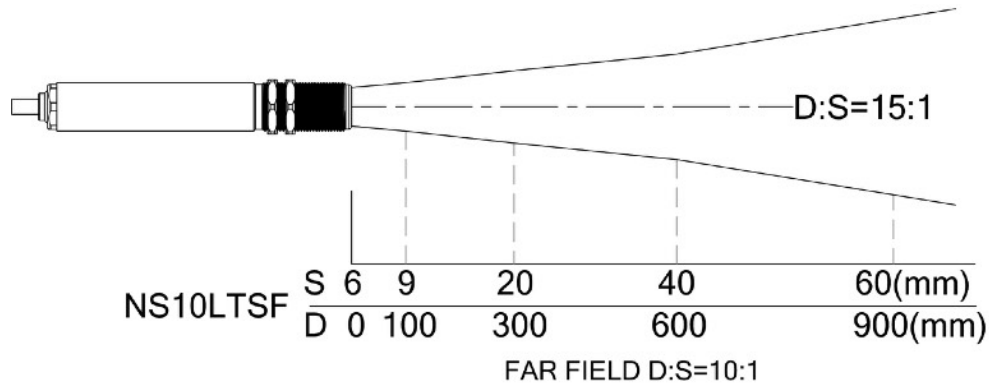
Dimensions(mm)



NS10LT Series

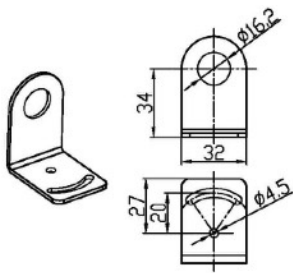


Optical Specifications

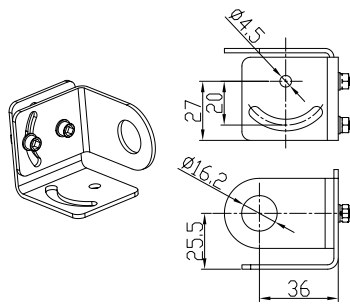


Optional Accessories

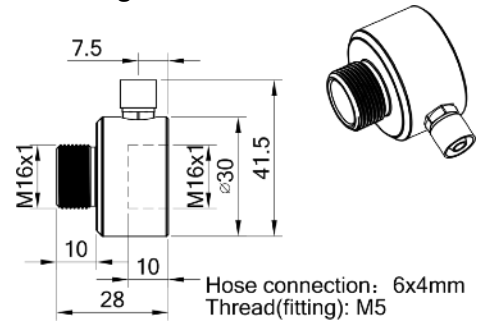
Fixed Bracket



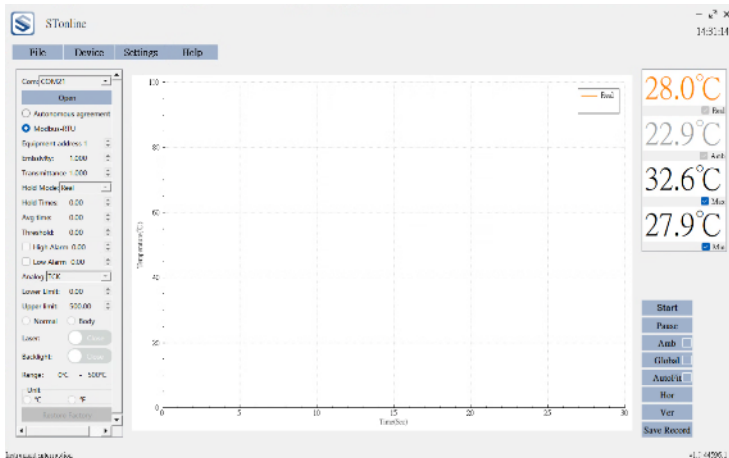
Adjustable Bracket



Air Purge Collar



STonline Software



Specifications are subject to change without notice
NS10LT-E25-A



SENTES Instruments Corporation Ltd.
1F., No. 43, Ln. 80, Guangfu N. Rd., Songshan Dist.,
Taipei City 105035, Taiwan
Tel : +886-2-2579-5079, Fax : +886-2-2579-5297
www.sentest.com